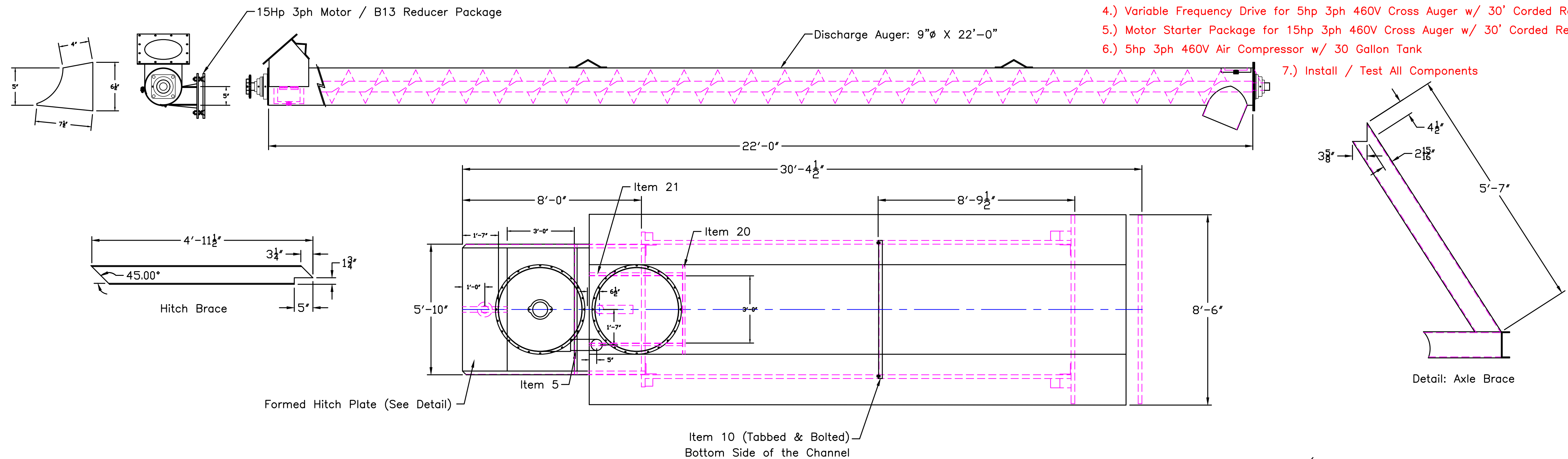


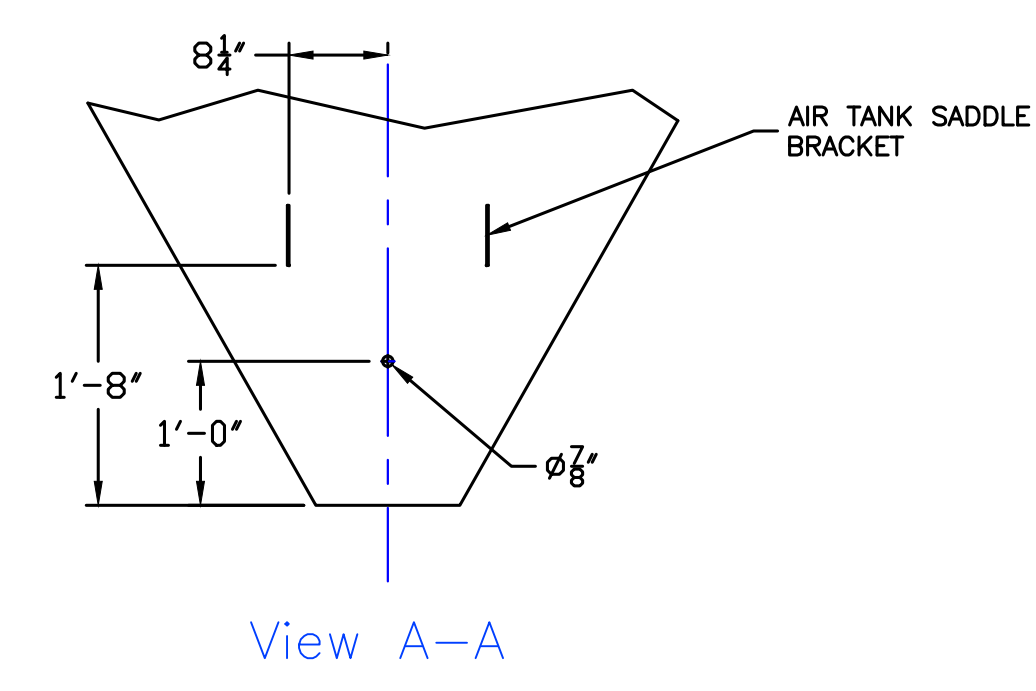
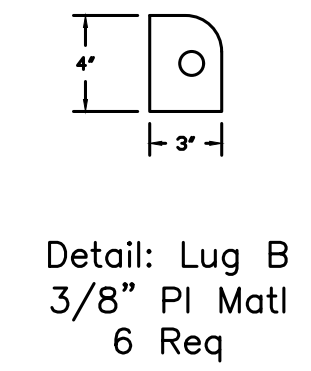
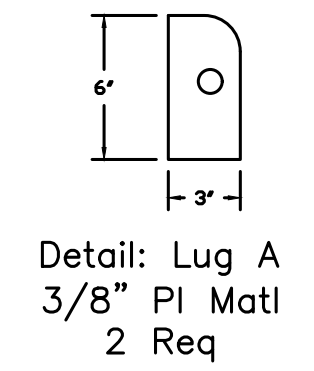
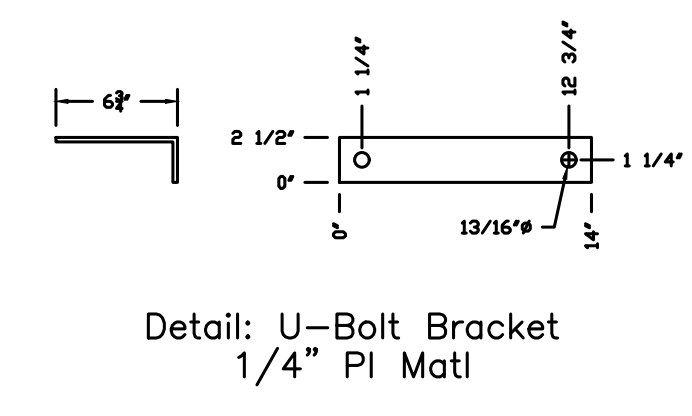
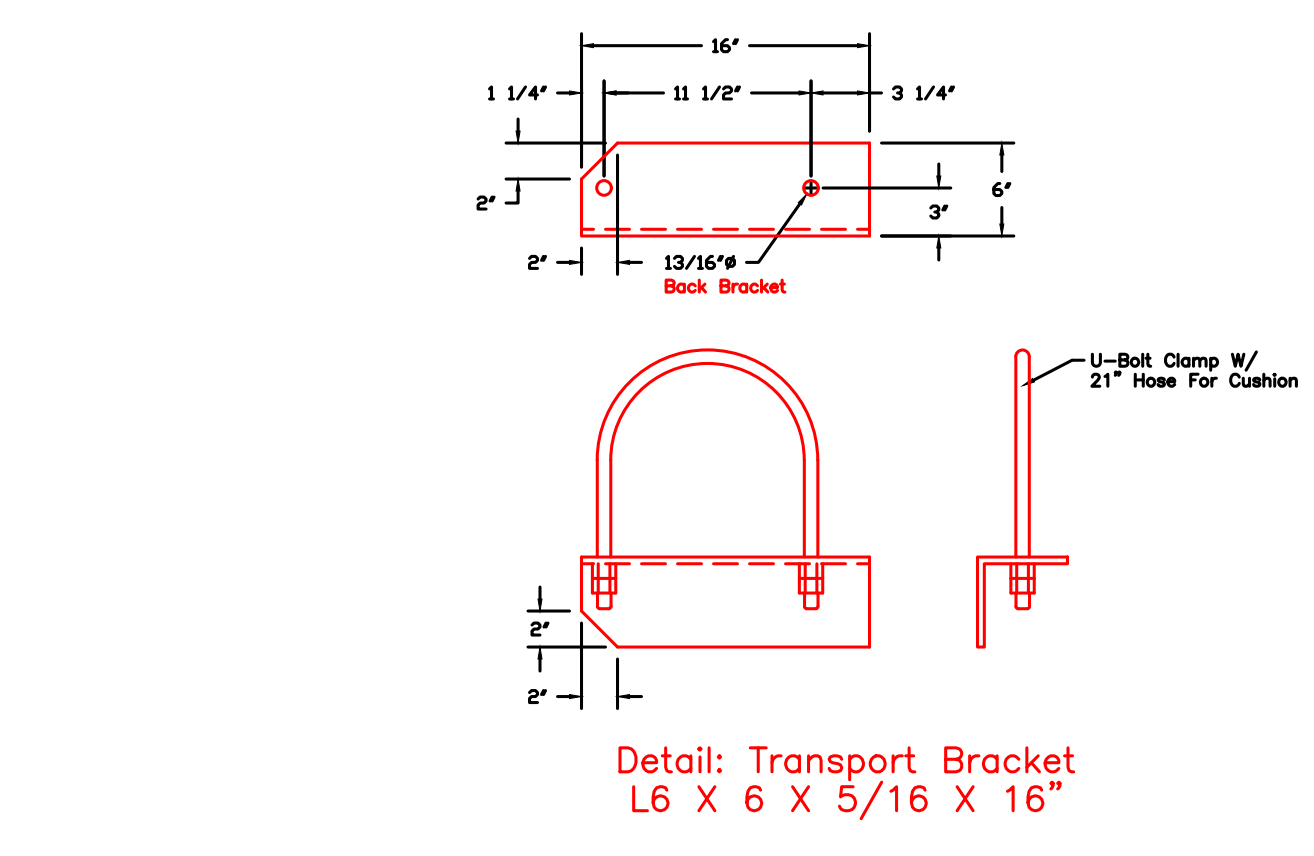
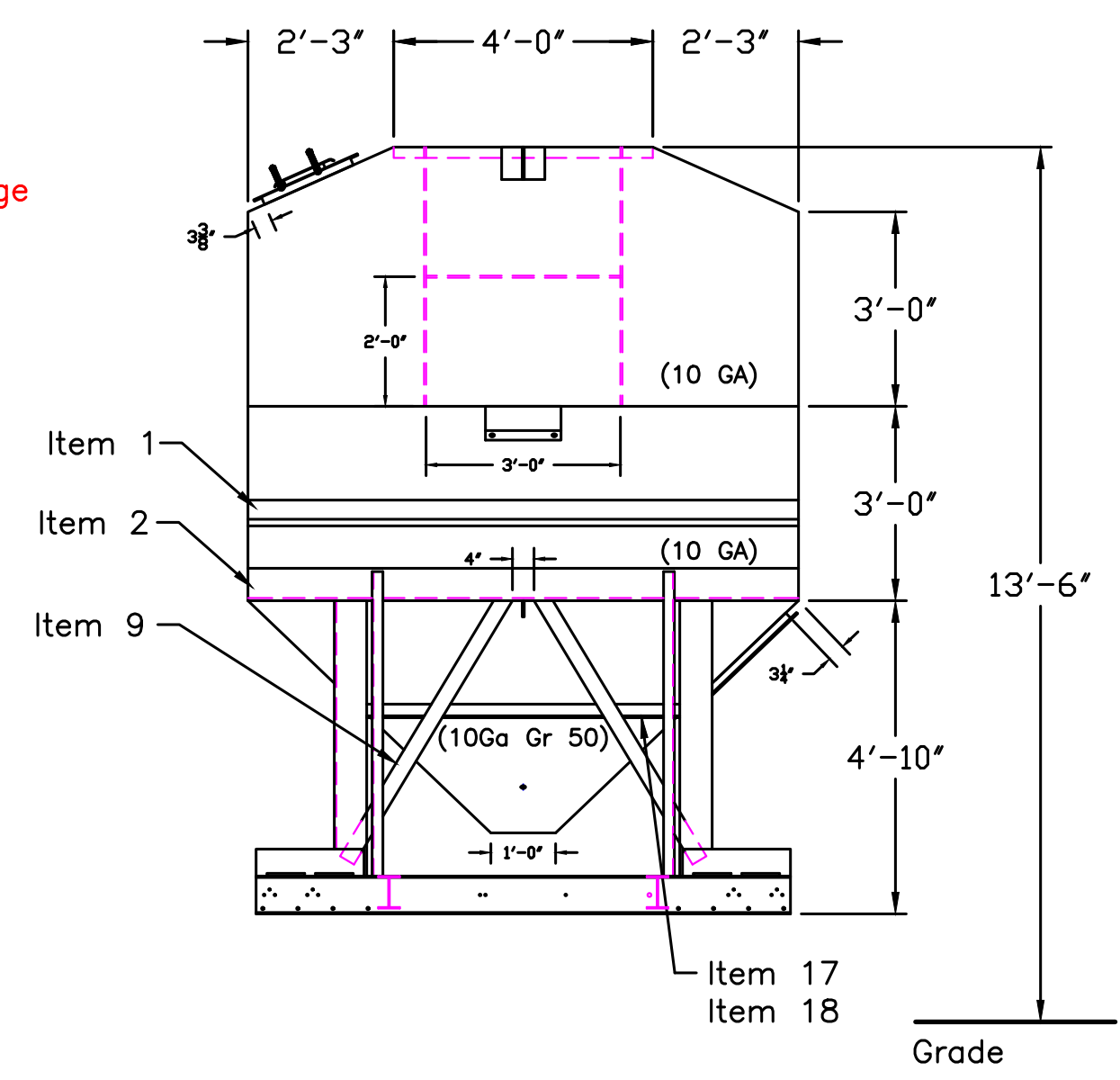
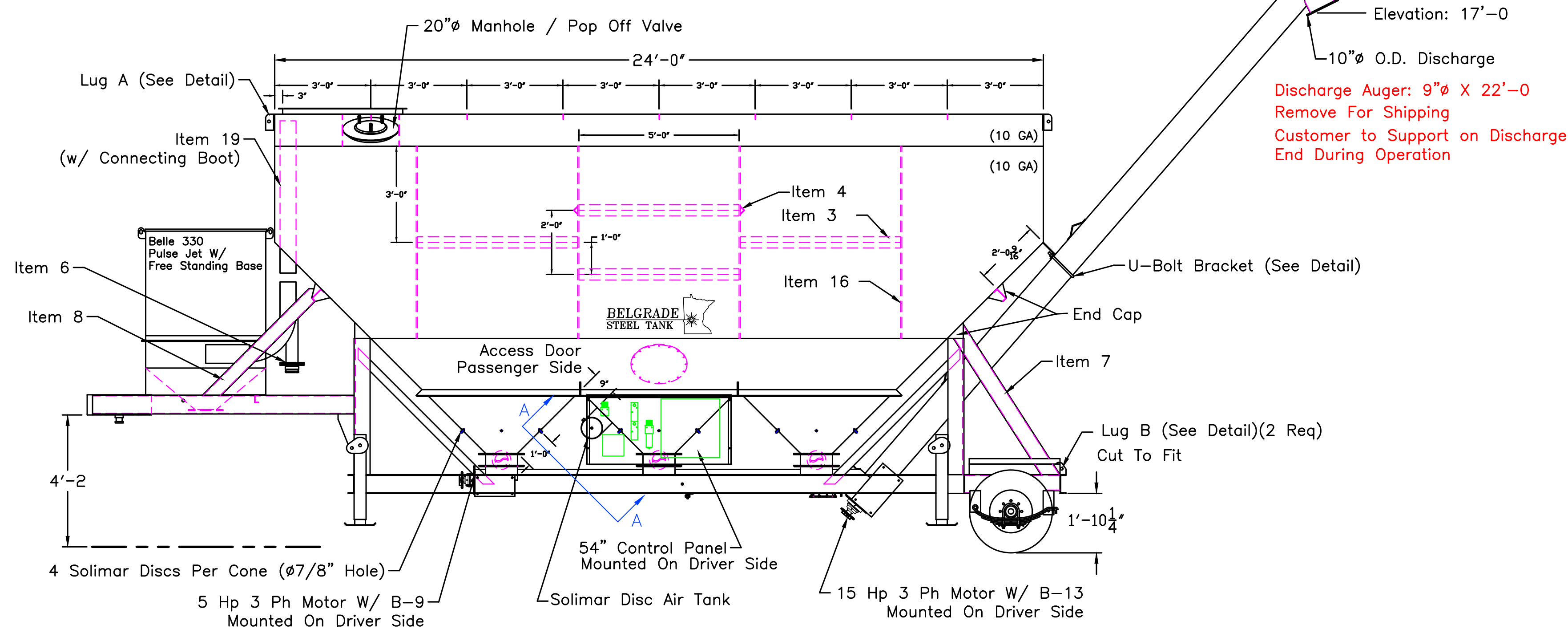
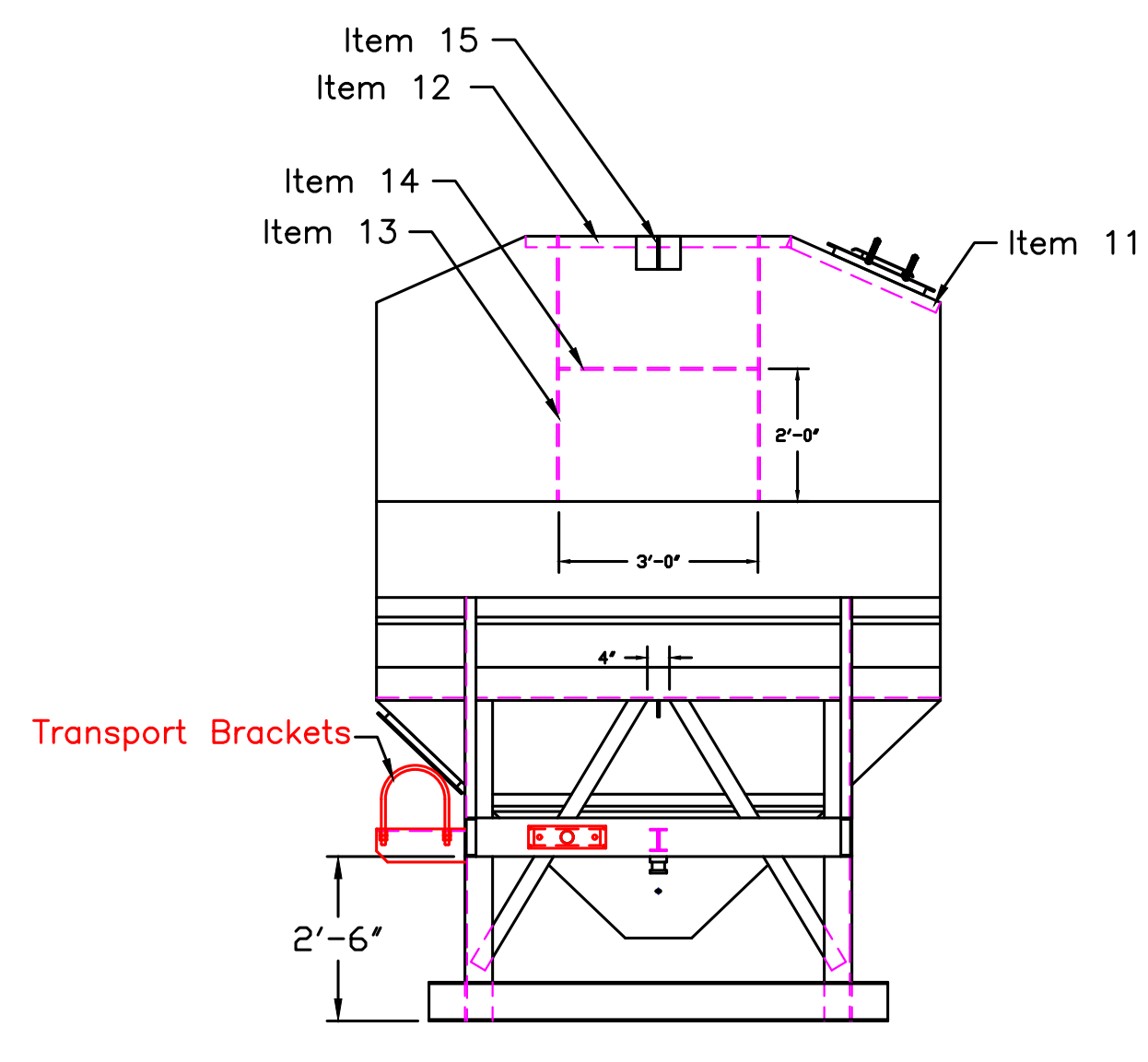
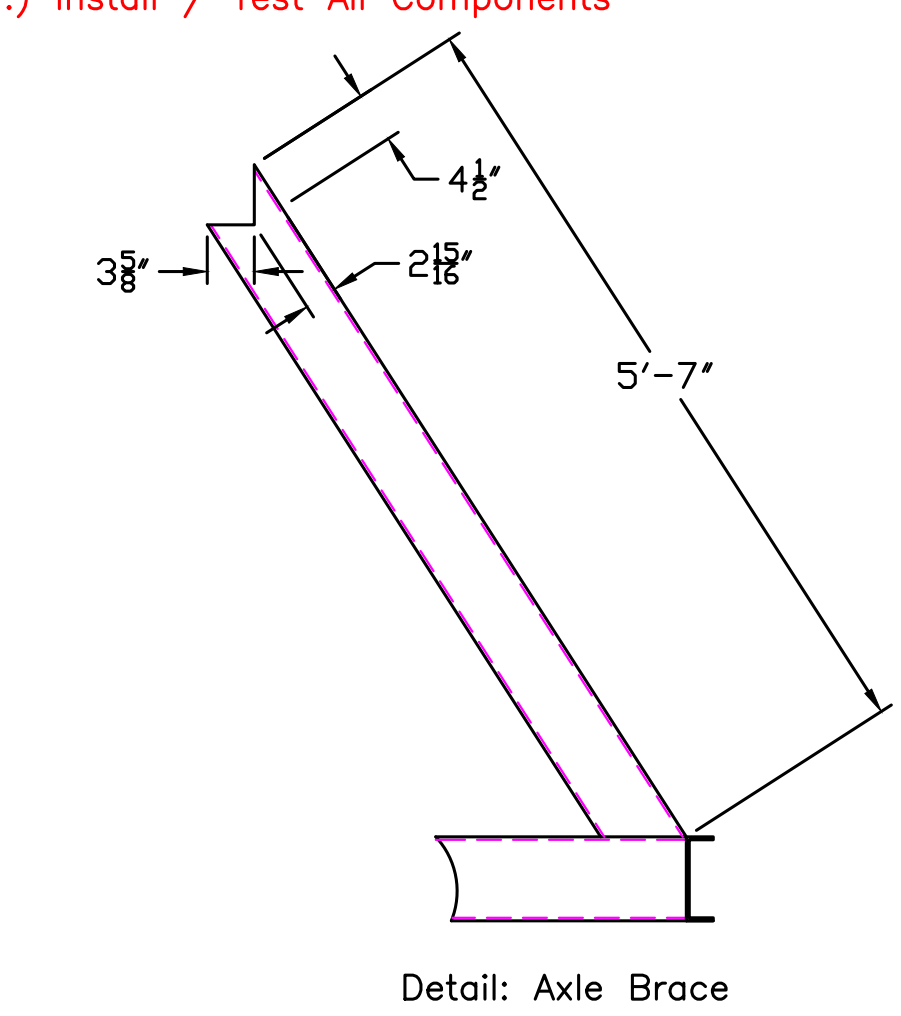
GENERAL NOTES;

- 1.) Paint Options: White, Gray, Tan, & Yellow
- 2.) Include (1) 10 3/4" x 4'-0" Vinyl Boot w/ Clamp
- 3.) Supply & Install Filter/Regulator Assembly, & (2) Manual Controls. Plumb To Solimar Discs & Dust House
- 4.) Variable Frequency Drive for 5hp 3ph 460V Cross Auger w/ 30' Corded Remote
- 5.) Motor Starter Package for 15hp 3ph 460V Cross Auger w/ 30' Corded Remote
- 6.) 5hp 3ph 460V Air Compressor w/ 30 Gallon Tank
- 7.) Install / Test All Components



| Item | Silo Material List | Qty |
|------|-------------------------------------|-----|
| 1 | C5 X 8'-5 3/4 | 2 |
| 2 | L6 X 6 X 5/16 X 8'-5 3/4 | 2 |
| 3 | L3 X 3 X 3/16 X 5'-0 | 8 |
| 4 | L2 X 2 X 1/4 X 8'-5 1/2 | 2 |
| 5 | C3 X 5'-9 1/2 | 1 |
| 6 | 4"Ø Fill Pipe W/ Alum Adapter: 5'-6 | 1 |
| 7 | C6 X 5'-7 MOE 32.75' (Pairs) | 2 |
| 8 | C5 X 4'-11 1/2 MOE 45' (Pairs) | 2 |
| 9 | L3 X 2 X 1/4 X 4'-9 MOE 31' (Pairs) | 4 |
| 10 | L2 X 2 X 1/4 X 6'-2 | 1 |

| Item | Silo Flat Bar Material List | Qty |
|------|--|-----|
| 11 | 2" x 1/4" Hr Flat x 29" | 2 |
| 12 | 2" x 1/4" Hr Flat x 47 1/2" | 7 |
| 13 | 2" x 3/8" Hr Flat x 47 3/4" | 4 |
| 14 | 2" x 3/8" Hr Flat x 36" | 2 |
| 15 | 6" x 3/8" x 8" Lug Plate | 2 |
| 16 | 3" x 3/8" Hr Flat x 5'-11 3/4 | 8 |
| 17 | 3" x 3/8" Hr Flat x 5'-6 Miter 35° MBEV | 2 |
| 18 | 3" x 3/8" Hr Flat x 15'-2 Miter 35° MBEV | 2 |
| 19 | 6"Ø Air Return X 10 Ga X 4'-9 | 1 |
| 20 | C3 x 3'-11 1/2 | 1 |
| 21 | C3 x 4'-2 | 2 |



Customer Approval Drawing
Please Sign and Return One Copy
Signed:

| | | | |
|---|---------------|--------------------------------|--|
| REV:0 | DATE:06/07/22 | BY:NAT | DISC:NEW RELEASE |
| | | TITLE: 300 LOW PROFILE SILO | DRAWING D-080322 |
| | | PART NO | DATE: 08/03/22 |
| SHEET:1 OF 1 | | SCALE:3/8"=12" | |
| THIS DRAWING IS THE PROPERTY OF BELGRADE STEEL TANK, INC. IT SHALL NOT BE USED OR REPRODUCED EITHER WHOLLY OR IN PART EXCEPT WITH WRITTEN AUTHORIZATION. ALL RIGHTS RESERVED. | | | FOR: Texas Bearing Co. P#: 7107409 |